



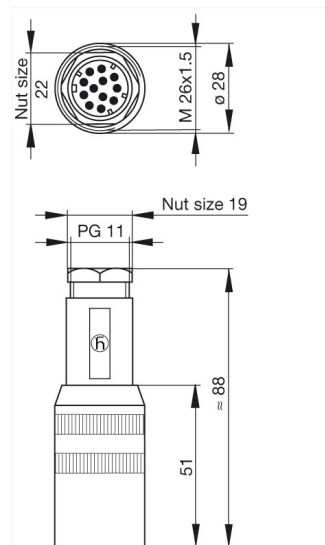
N11R EM

Industrial Connectors: Circular connectors NR-series: Cable plug

Product description

Description	Straight cable plug with strain relief
Type	N11R EM
Order No.	932 631-106
Type of contact	male
Number of contacts	11 + PE
Cable gland	PG 11
Cable diameter	8 mm to 10 mm
Conductor size	max. 0.5 mm ²
Standard	DIN 43 651
Housing Color	grey

Drawing



Technical data

Pin dimensions	1.6 mm
Rated voltage	60 V AC/DC
Rated current	5 A
Contact resistance	≤ 5 mOhm
Type of termination	crimp
Suitable cables	0.14 mm ² to 0.5 mm ²

Material

Contact surface material	Ag
Contact bearer material	PET
Housing material	PET

Environmental conditions

Protection class (IEC 60529)	IP 65
Temperature range	-40 °C to +90 °C

Packaging unit

Packaging unit	10 pieces
----------------	-----------

Scope of delivery and accessories

Scope of delivery	1 cable plug, not assembled, in polythene bag with assembly instructions
Accessories to order separately	can be plugged into N11R AF 5; contacts: RSC 162/1